

New Evolution

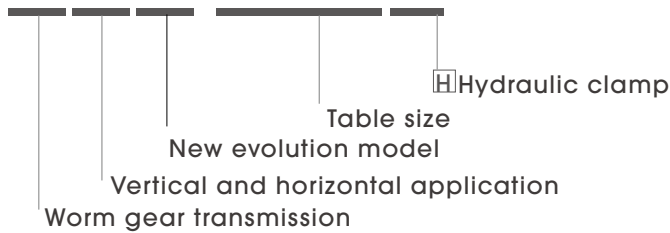
CNC Big Spindle Bore NC Rotary Table

(Hydraulic Brake)

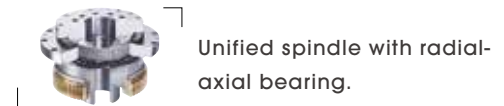
GXA-255H GXA-320H

GXA-400H

G X A - 2 5 5 H



- Worktable diameter Ø255, Ø320, Ø400.
- Big spindle bore** allow the more complex parts clamping and fixture.
- Ultra high clamping force.
- Consolidated spindle with radial-Axial bearing, built-in.**
- Full gear depth transmitted by dual lead worm drive, resulting in higher efficiency and lower backlash.



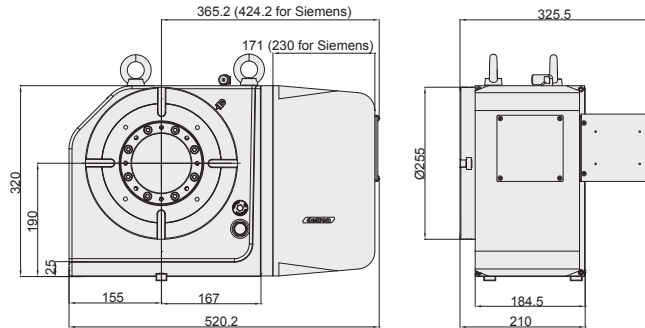
SPECIFICATIONS

MODEL		Unit	GXA-255H	GXA-320H	GXA-400H
Worktable diameter		mm / inch	Ø255 / Ø 10.04	Ø320 / Ø 12.6	Ø400 / Ø 15.75
Center bore diameter		mm / inch	Ø140H7 / Ø 5.51H7	Ø180H7 / Ø 7.08H7	Ø220H7 / Ø 8.66H7
Through-bore diameter		mm / inch	Ø100 / Ø 3.94	Ø140 / Ø 5.51	Ø180 / Ø 7.09
Height of table (horizontal)		mm / inch	210 / 8.27	235 / 9.25	255 / 10.04
Height of center (vertical)		mm / inch	190 / 7.48	210 / 8.27	255 / 10.04
Width of T-slot		mm / inch	12H7 / 0.47H7	14H7 / 0.55H7	14H7 / 0.55H7
Width of guide block		mm / inch	18 / 0.71	18 / 0.71	18 / 0.71
Clamping method /pressure		Mpa / psi	Hydraulic	Hydraulic	Hydraulic
			5 / 725	5 / 725	5 / 725
Clamping torque		Nm /ft. lbs.	900 / 663.3	1600 / 1179.2	3000 / 2211
Servo motor type			refer to page 53		
Transmission ratio			1 / 120	1 / 120	1 / 144
Max. table speed		min ⁻¹	22.2	22.2	11.1
Standard loading inertia *		Kg.m ²	2.43	5.12	10.2
Maximum loading inertia * ($\frac{W.D^2}{8}$)		Kg.m ²	12	20	40
Resolution		deg.	0.001	0.001	0.001
Indexing accuracy		sec.	15	15	15
Repeatability		sec.	6	6	6
Net weight (servo motor excluded)		kg / lb	114 / 251	147 / 323.4	253 / 556.6
Allowable loading capacity	Vertical	kg / lb	150 / 330	200 / 440	250 / 550
	Horizontal	kg / lb	300 / 660	400 / 880	500 / 1100
	Tailstock applied	kg / lb	300 / 660	400 / 880	500 / 1100
Allowable load (when table clamped)		N / lbs	20000 / 4488	28000 / 6283.2	38000 / 8527.20
		Nm /ft. lbs.	1700 / 1252.9	3000 / 2211	5400 / 3979.8
		Nm /ft. lbs.	900 / 663.3	1600 / 1179.2	3000 / 2211
Allowable cutting torque		Nm /ft. lbs.	550 / 405.35	780 / 574.86	1700 / 1252.9

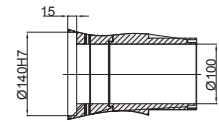
Note: 1. Allowable cutting torque at table speed of 1 min⁻¹.
 2. Standard loading inertia * is allowed in max table speed. Contact detron for the necessary adjustment of speed and others when maximum loading inertia * is required.

Dimension

GXA-255H

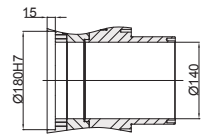
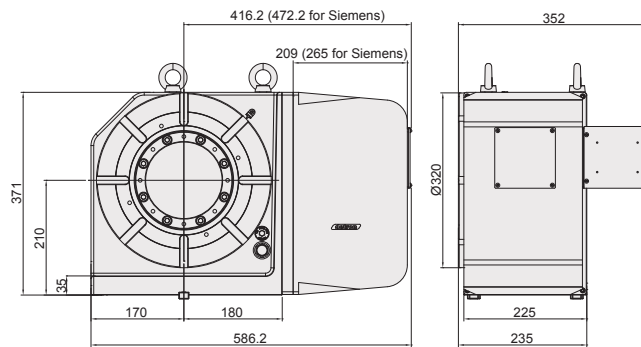
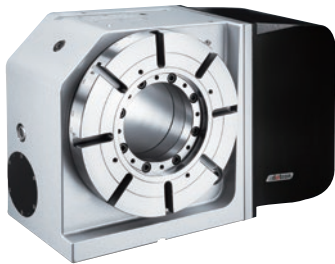


Unit : mm



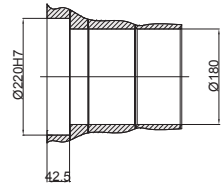
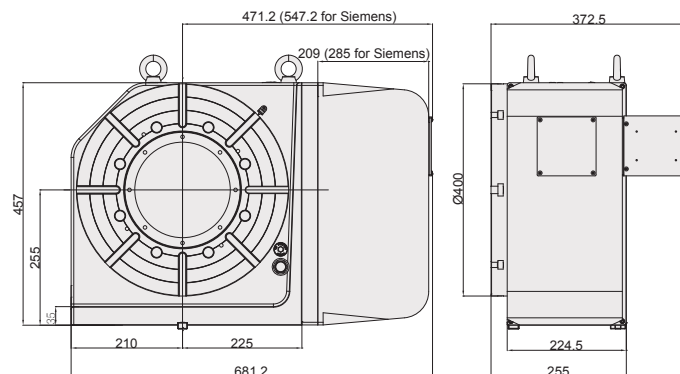
Through-hole Diameter

GXA-320H



Through-hole Diameter

GXA-400H



Through-hole Diameter

Note: 1. The length of servo guard may vary with servo motor type. (metal sheet dimensions shown above are based on Fanuc motor)