

TC Series

CNC Lathe



Tongtai Tongtai Machine & Tool Co., Ltd.

NO.3, LUKE 3rd. RD., LUZHU DISTRICT, KAOHSIUNG CITY, 82151, TAIWAN.

TEL : 886-7-9761588

FAX : 886-7-9761589/886-7-9761590

Website : <http://www.tongtai.com.tw>

Taoyuan Office	TEL : 886-3-4551399	FAX : 886-3-4559730
Taichung Office	TEL : 886-4-23589600	FAX : 886-4-23589993
Tongtai Seiki U.S.A Inc.	TEL : 1-845-2675500	FAX : 1-845-2675546
Tongtai Machine & Tool Japan Co., Ltd	TEL : 81-4-71438355	FAX : 81-4-71438360
Tongtai Seiki Vietnam Limited	TEL : 84-435112529	
Europe Office	TEL : 31-161-454639	FAX : 31-161-454768
Thailand Office	TEL : 66-2-7443440	FAX : 66-2-3986518
Indonesia Office	TEL : 62-21-45850521	FAX : 62-21-45840522
Malaysia Office	TEL : 60-3-78456815	FAX : 60-3-78456851



SHUZHOU TONG-YU MACHINE & TOOL CO., LTD.

TEL : 86-512-63430168

FAX : 86-512-63431622

E-mail : sales@tong-yu.com.cn

Wuhan Office	TEL : 86-27-59409109	FAX : 86-27-59409110
Shanghai Office	TEL : 86-21-24208138	FAX : 86-21-34073262
Chongqing Office	TEL : 86-23-67865925	FAX : 86-23-67867717
Guangzhou Office	TEL : 86-755-27222119	FAX : 86-755-27222115
Tianjin Office	TEL : 86-22-24417640	FAX : 86-22-24416738
Shenyang Office	TEL : 86-24-24142968	FAX : 86-24-24115782

TC Series



- High rigidity structure
- High efficiency turning performance

Tongtai's CNC lathes have been widely popular to worldwide customers because its high reliability and high cost-performance rate. But we are not self-satisfied and devoted to improve product quality to fit to customers' demand. Now, Tongtai launches new CNC lathe-TC series. With finite element analysis, structure rigidity is reinforced. Non-cutting time is decreased because of quick tool changing on servo driven turret. Furthermore, chip evacuation and ergonomic are also improved. TC series is your best choice of CNC lathe for high rigidity, high efficiency and high cost-performance rate.

CONTENTS

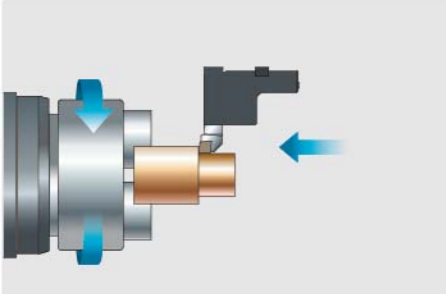
- 03 Machining ability
- 04 Machining accuracy
- 05 Machining accuracy
- 07 Operation
- 08 Peripheral accessories
- 09 Tool interference
- 10 Working area
- 11 Spindle output and torque chart
- 12 Standard/Optional accessories
- 13 Machine dimensions/Specification

	Bar capacity	Spindle diameter	Z axis stroke	Turning	Turning & Milling
Chuck size 6"	Ø44 mm	Ø80 mm	400 mm	TC-1500	TC-1500M
Chuck size 8"	Ø51 mm	Ø100 mm	400 mm	TC-2000	TC-2000M
			600 mm	TC-2000L	TC-2000LM
Chuck size 10"	Ø64 mm	Ø120 mm	400 mm	TC-2500	TC-2500M
			600 mm	TC-2500L	TC-2500LM

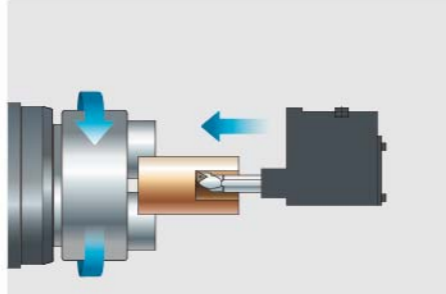


Machining ability

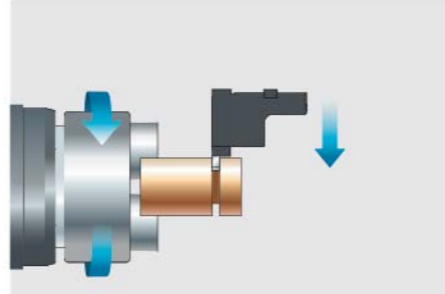
Turning Material : S45C



O.D. turning	
Material removal rate	330 cm ³ /min
Cutting depth	5 mm
Spindle speed	763 rpm
Feedrate	0.5 mm/rev
Cutting speed	120 m/min

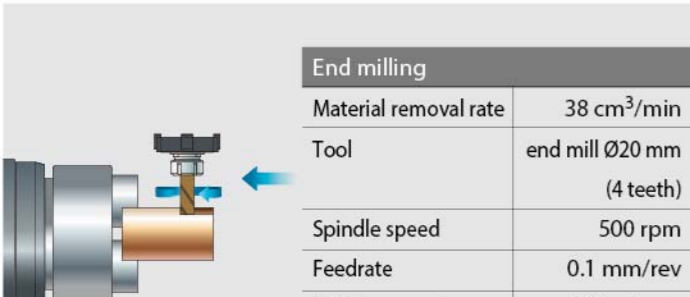


I.D. turning	
Material removal rate	270 cm ³ /min
Cutting depth	5 mm
Spindle speed	637 rpm
Feedrate	0.5 mm/rev
Cutting speed	120 m/min

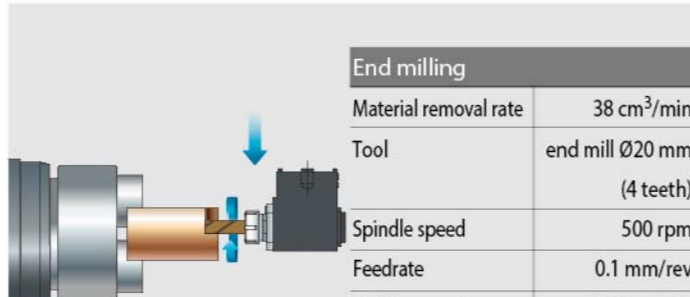


Grooving	
Cutting width	8 mm
Spindle speed	637 rpm
Feedrate	0.1 mm/rev
Cutting speed	120 m/min

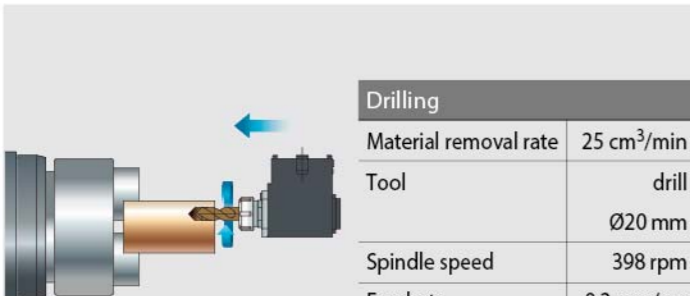
Milling Material : S45C




End milling	
Material removal rate	38 cm ³ /min
Tool	end mill Ø20 mm (4 teeth)
Spindle speed	500 rpm
Feedrate	0.1 mm/rev
Cutting speed	200 m/min
Cutting width	12 mm
Cutting depth	16 mm



End milling	
Material removal rate	38 cm ³ /min
Tool	end mill Ø20 mm (4 teeth)
Spindle speed	500 rpm
Feedrate	0.1 mm/rev
Cutting speed	200 m/min
Cutting width	12 mm
Cutting depth	16 mm



Drilling	
Material removal rate	25 cm ³ /min
Tool	drill Ø20 mm
Spindle speed	398 rpm
Feedrate	0.2 mm/rev
Cutting speed	25 m/min



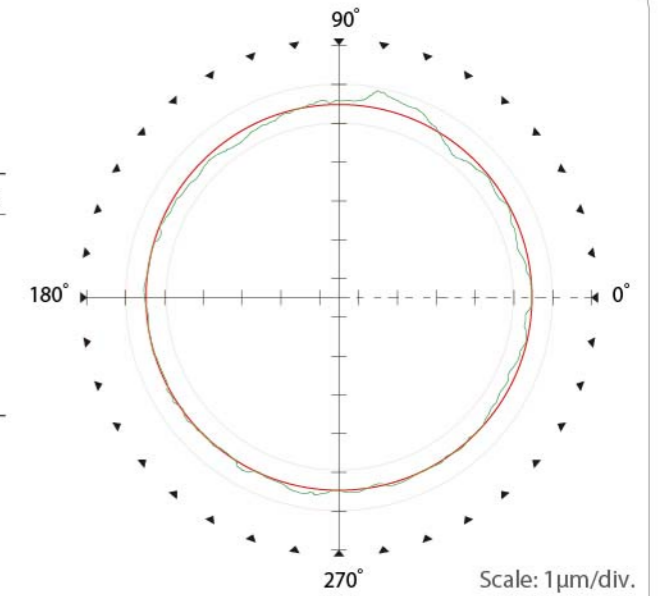
Drilling	
Material removal rate	25 cm ³ /min
Tool	drill Ø20 mm
Spindle speed	398 rpm
Feedrate	0.2 mm/rev
Cutting speed	25 m/min

※Note: Above data are the test result of TC-2000LM

Machining accuracy

Turning accuracy

		Roundness	Cylindricity	Roughness
Material	Brass	0.9 μm	5 μm	0.3 μm Ra
Tool	Diamond cutting tool			
Turning diameter	60 mm			
Spindle speed	3000 rpm			
Feedrate	0.05 mm/rev			



Turning stability

		The variation of O.D. of long-term machining
Material	Brass	0.015 mm
Tool	Diamond cutting tool	
Turning diameter	60 mm	
Spindle speed	3000 rpm	
Feedrate	0.05 mm/rev	

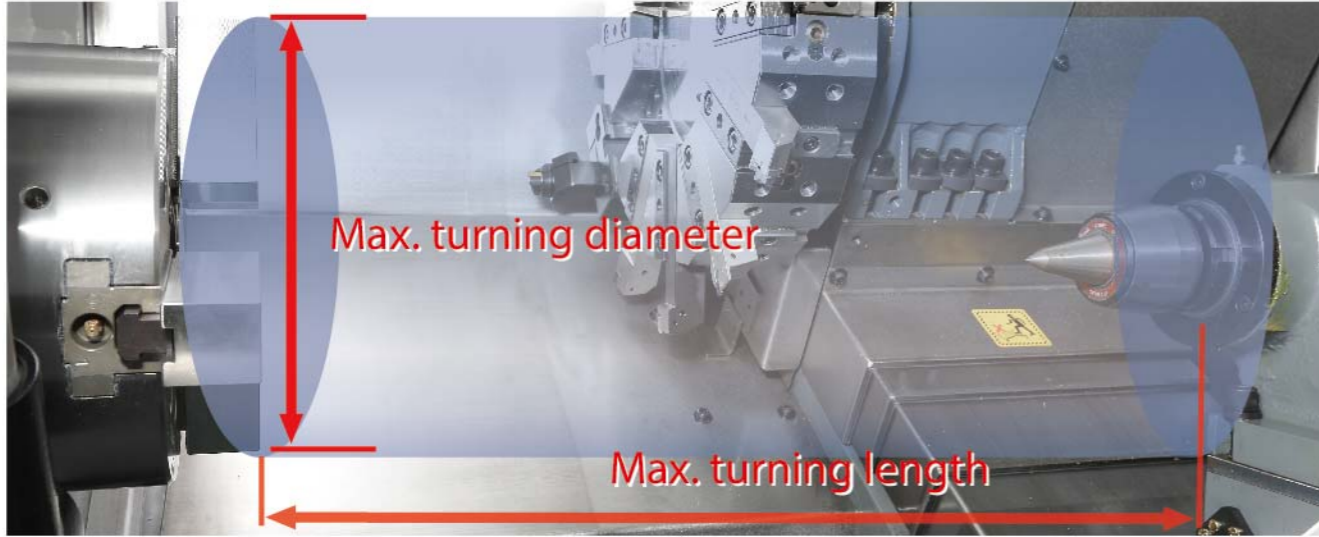


※The above data is measured in-house. The test result may not be obtained due to different cutting conditions and environment conditions.



Machining accuracy

Working area

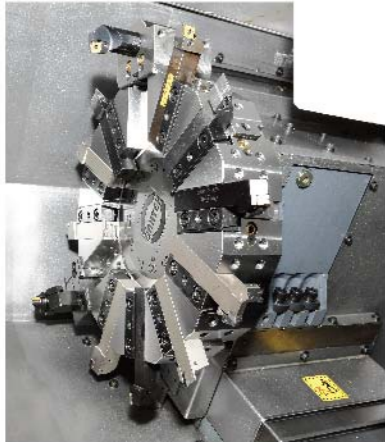


Model	TC-1500	TC-1500M	TC-2000	TC-2000L	TC-2000M	TC-2000LM	TC-2500	TC-2500L	TC-2500M	TC-2500LM
Max. swing diameter	520									
Max. swing diameter	320									
over saddle	300(12V)		300(12V)		300(12V)		300(12V)		280	
Max. turning diameter	330(8V)	280	330(8V)		280		330(8V)			
Max. turning length	400	300	400	600	300	500	400	600	300	500

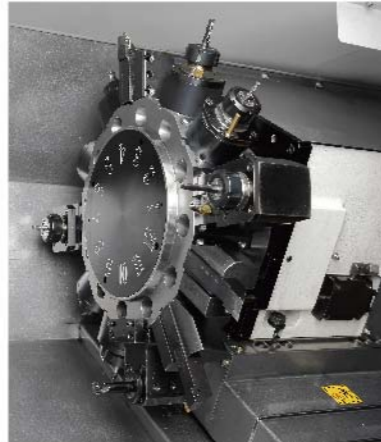
Unit:mm

Turret

Servo turret



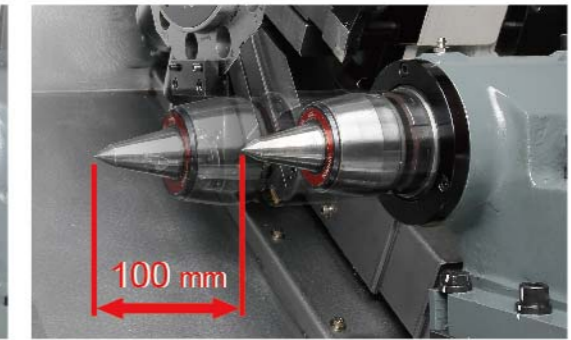
Power turret



	Servo turret	Power turret
Tool capacity	12/8(Opt.)	12
Indexing time(1-station)	0.2 sec	0.3 sec
Indexing time(6-station)	0.6 sec	1 sec
Max. speed of live tool	-	6000 rpm
Spindle output of live tool	-	5.5/3.7 kW

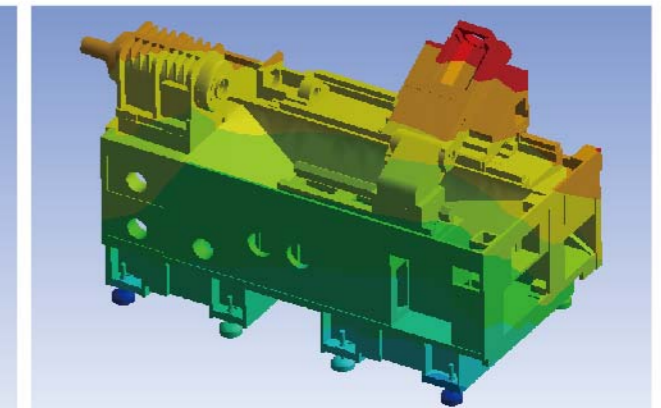
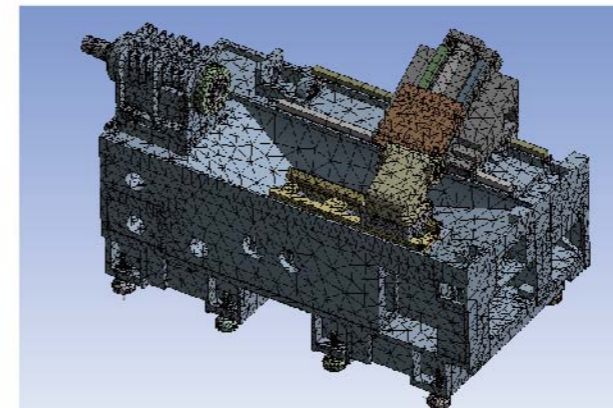
Tailstock

Manual travel	275/500(L) mm
Quill travel	100 mm
Center taper	TC-1500 / TC-2000 : MT4 TC-2500 : MT5
Max. thrust	TC-1500 / TC-2000 : 500 kgf TC-2500 : 700 kgf



X axis saddle

X axis saddle has optimized structure with stable static and dynamic rigidity due to finite element analysis.



Operation

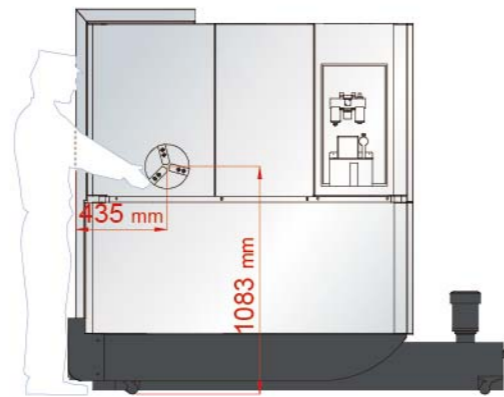
Swivel-type operation panel

The swivel panel makes operator easy to operate and inspect during operation.



Accessibility

The access to spindles or turrets is short and comfortable to operator.

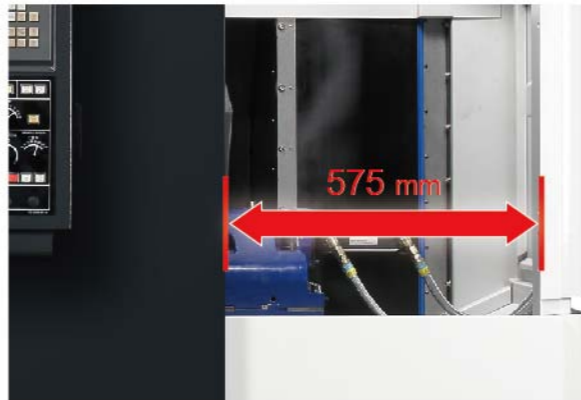


Door opening width



The wide door opening makes machine operation and maintenance more convenient.

Tailstock area



Spacious tailstock working area.

Peripheral accessories

Chip conveyor

According to different materials and chip size, Tongtai provide various chip conveyors for the best chip disposal.



Specification	Steel		Cast iron		Aluminum/ Non-ferrous metal		
	Long/Curl chips	Short chips	Powder chips	Short chips	Long/Curl chips	Short chips	Powder chips
Hinge type	○	×	×	×	○	×	×
Scraper type	×	○	○	○	×	○	○
Magnetic scraper type	×	○	○	○	×	×	×

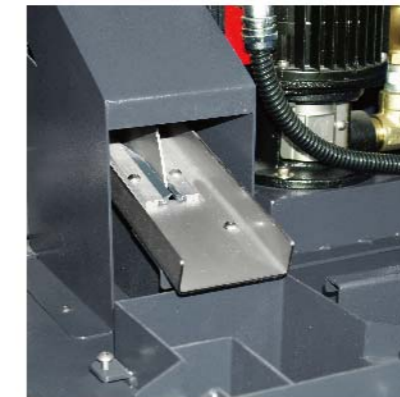
○ : Suitable × : Non-suitable

Short chips: Chips shorter than 60 mm or ball type chips smaller than Ø40 mm.
 Curl long chips: Chips' length is longer than short ones.

Manual tool presetter (optional)



Disc type oil skimmer (optional)

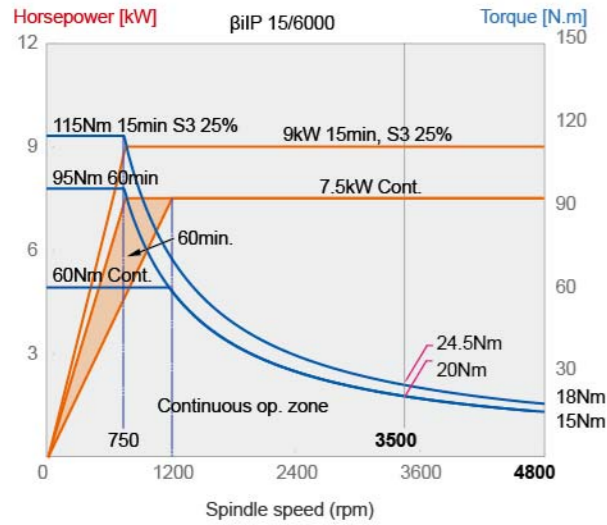


Oil mist collector (optional)

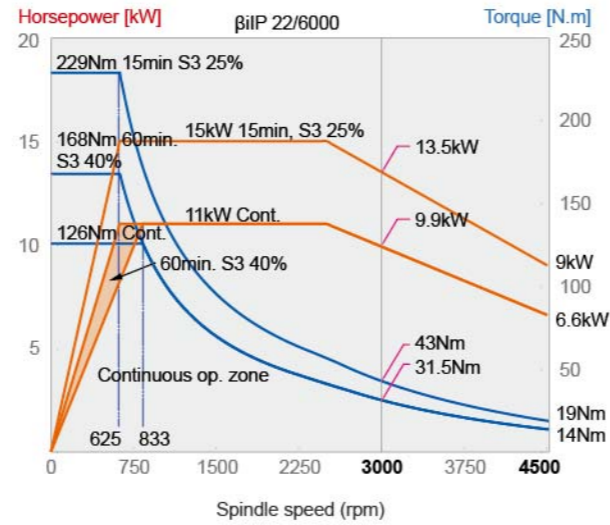


Spindle output and torque chart

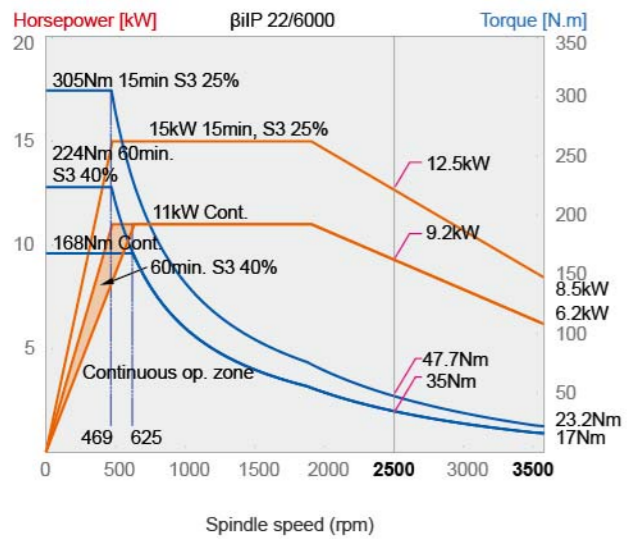
TC-1500 Spindle bearing dia. Ø80 mm
Pulley ratio 1:1



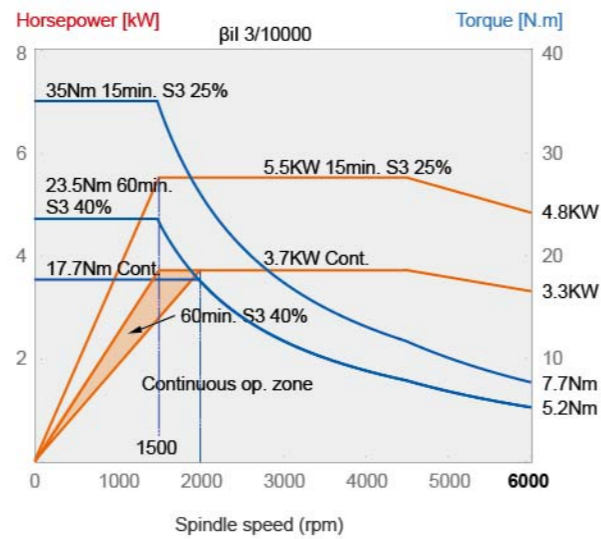
TC-2000 Spindle bearing dia. Ø100 mm
Pulley ratio 1:1.2



TC-2500 Spindle bearing dia. Ø120/Ø130 mm
Pulley ratio 1:1.6



Live tool motor



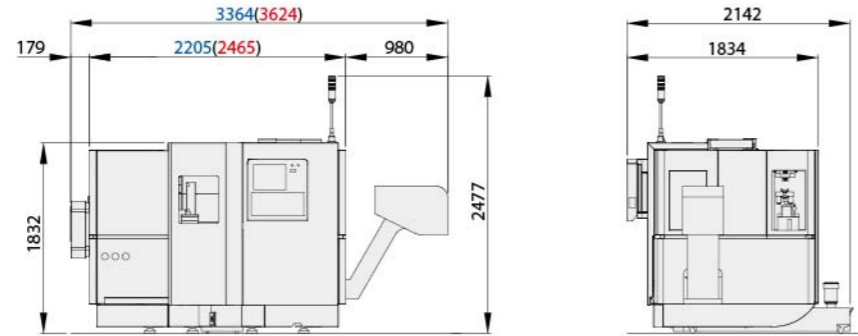
Standard/Optional accessories

Standard/Optional accessories

		Standard	Optional
Chuck	3 Jaws through hole chuck	●	
	Collet type through hole chuck		○
Turret	12V hydraulic turret	●	
	8V hydraulic turret		○
	Power turret		○
Spec. of live tool holder	BMT-65		○
	VDI-40		○
Chip conveyor	Hinge type	●	
	Scraper type		○
	Magnetic scraper type		○
Coolant & air blow	Coolant through spindle		○
	Air blow through spindle		○
	Coolant on spindle side		○
	Air blow on spindle side		○
Automation equipment	Bar feeder		○
	Part catcher		○
	Part conveyor		○
	Automatic door		○
Tool holder(Servo turret)	Face turning tool holder	2	
	I.D. tool holder	4	
	Gasket	8	
	Sleeve of I.D. tool Ø8, Ø10, Ø12, Ø16, Ø20, Ø2	one each size	
	Sleeve of drilling tool MT1, MT2, MT3"	one each size	
	Others		
	Oil skimmer		○
	Oil mist collector		○
	Air conditioner for electrical cabinet		○
	Manual tool presetter		○
	Air gun		○
	Coolant gun		○

Machine dimensions/Specification

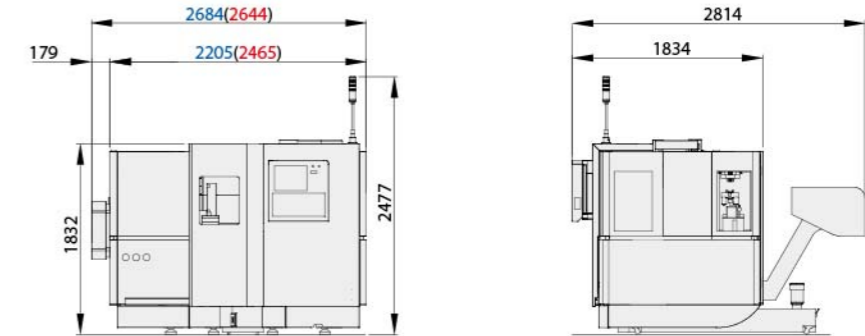
Dimension with sideward type chip conveyor



— TC-1500M/TC-2000M/2500M
 — TC-2000LM/2500LM

Unit : mm

Dimension with rearward type chip conveyor



— TC-1500M/TC-2000M/2500M
 — TC-2000LM/2500LM

Unit : mm

Specification

Item	Specification	Unit	TC-1500	TC-1500M	TC-2000	TC-2000L	TC-2000M	TC-2000LM
Turning capacity	Spindle bearing dia.		Ø80				Ø100	
	Max. swing dia.	mm	Ø520				Ø520	
	Max. swing dia. over saddle	mm	Ø320				Ø320	
	Max. turning diameter	mm	Ø320(12V) Ø330(8V)	Ø280	Ø320(12V) Ø330(8V)		Ø280	
	Max. turning length	mm	400	300	400	600	300	500
Spindle	Spindle nose		A2-5				A2-6	
	Spindle speed	rpm	4,800(Opt.3,500)				4,500(Opt.3,000)	
	Chuck O.D.	inch	6"				8"	
	Through-spindle hole dia.	mm	Ø56				Ø62	
	Bar capacity	mm	Ø44				Ø51	
Turret	Tool capacity		12 (Opt.8)	-	12 (Opt.8)		-	
	O.D. tool	mm	25×25	-	25×25		-	
	I.D. tool	mm	Ø32/Ø40	-	Ø32/Ø40		-	
	Driving system		Servo	-	Servo		-	
Power turret	Tool capacity		-	12(VDI-40)	-			12(VDI-40)
	Motor	kW	-	5.5/3.7	-			5.5/3.7
	O.D. tool	mm	-	25×25	-			25×25
	I.D. tool	mm	-	Ø40	-			Ø40
	Max. speed	rpm	-	6,000	-			6,000
Stroke	X/Z axis stroke	mm	170/400	200/400	170/400	170/600	200/400	200/600
Feed	X/Z axis rapid traverse	m/min	30/30				30/30	
	Cutting feerdate	mm/rev	0.001~5000				0.001~5000	
Tailstock	Tailstock/Quill stroke	mm	275/100		275/100	500/100	275/100	500/100
	Center taper		MT#4				MT#4	
	Driving system		Manual				Manual	
Motor	Spindle motor	kW	9/7.5				15/11	
	X/Z axis servo motor	kW	1.8/1.8				1.8/1.8	
Coolant unit	Coolant tank capacity	L	95				95	
	Coolant motor	kW	0.55×1				0.55×1	
Hydraulic unit	Hydraulic tank capacity	L	30				30	
	Hydraulic motor	kW	1.5				1.5	
Machine size	L×W×H	mm	3364×2142×2477	3364×2142×2477	3364×2142×2477	3624×2142×2477	3364×2142×2477	3624×2142×2477
	Weight	kg	3250	3350	3300	3900	3400	4000

©Specifications May Be Changed Without Prior Notice

Specification

Item	Specification	Unit	TC-2500	TC-2500L	TC-2500M	TC-2500LM	TC-2500	TC-2500L	TC-2500M	TC-2500LM
Turning capacity	Spindle bearing dia.				Ø120				Ø130	
	Max. swing dia.	mm			Ø520				Ø520	
	Max. swing dia. over saddle	mm			V320				Ø320	
	Max. turning dia.	mm	Ø320(12V) Ø330(8V)		Ø280		Ø320(12V) Ø330(8V)		Ø280	
	Max. turning length	mm	400	600	300	500	400	600	300	500
Spindle	Spindle nose				A2-8				A2-8	
	Spindle speed	rpm			2,500(Opt.3,500)				2,500(Opt.3,500)	
	Chuck O.D.	inch			10"				10"	
	Through-spindle hole dia.	mm			Ø76				Ø86	
	Bar capacity	mm			Ø64				Ø74	
	Turret	Tool capacity		12 (Opt.8)		-		12 (Opt.8)		-
O.D. tool		mm	25×25		-		25×25		-	
I.D. tool		mm	Ø32/Ø40		-		Ø32/Ø40		-	
Driving system			Servo		-		Servo		-	
Power turret	Tool capacity		-		12(VDI-40)		-		12(VDI-40)	
	Motor	kW	-		5.5/3.7		-		5.5/3.7	
	O.D. tool	mm	-		25×25		-		25×25	
	I.D. tool	mm	-		Ø40		-		Ø40	
	Max. speed	rpm	-		6,000		-		6,000	
Stroke	X/Z axis stroke	mm	170/400	170/600	200/400	200/600	170/400	170/600	200/400	200/600
Feed	X/Z axis rapid traverse	m/min			30/30				30/30	
	Cutting feerdate	mm/rev			0.001~5000				0.001~5000	
Tailstock	Tailstock/Quill stroke	mm	275/100	500/100	275/100	500/100	275/100	500/100	275/100	500/100
	Center taper				MT#5				MT#5	
	Driving system				Manual				Manual	
Motor	Spindle motor	kW			15/11				15/11	
	X/Z axis servo motor	kW			1.8/1.8				1.8/1.8	
Coolant unit	Coolant tank capacity	L			95				95	
	Coolant motor	kW			0.55×1				0.55×1	
Hydraulic unit	Hydraulic tank capacity	L			30				30	
	Hydraulic motor	kW			1.5				1.5	
Machine size	L×W×H	mm	3364×2142×2477	3624×2142×2477	3364×2142×2477	3624×2142×2477	3364×2142×2477	3624×2142×2477	3364×2142×2477	3624×2142×2477
	Weight	kg	3400	4000	3500	4100	3500	4100	3600	4200

©Specifications May Be Changed Without Prior Notice